



LED Street Light YASL-35

Installing Ways:

Both Horizontal and Vertical available and adjustable angle -15 ° to +15 °

Material:

Die casting Aluminum body and tempered glass with lens

YASL-35-240(M)



Product Specification

Product Code	YASL-35-40(M)	YASL-35-60(M)	YASL-35-100(M)	YASL-35-150(M)	YASL-35-240(M)
Input Wattage (W)	30 ~ 50	50 ~ 80	60 ~ 120	120 ~ 200	200 ~ 320
Number of Lenses (PCS)	4	6	9	15	24
Product Size (mm)	563×215×110	613×240×110.2	654×256×114	780×287×114	834×341×114
Packing Size (mm)	610×250×260	660×280×260	710×300×260	810×330×260	860×380×260
Net Weight (kgs)	2.2	2.6	3.1	4.0	5.5
Gross Weight (kgs)	4.9	5.7	6.7	8.5	11.5
Quantity of Packing (PCS)	2	2	2	2	2
Installation Height (m)	3 ~ 8	4 ~ 8	6 ~ 10	8 ~ 12	12 ~ 14
Installation Pipe Diameter	Φ60mm	Φ60mm	Φ60mm	Φ60mm	Φ60/76mm
Adjustable Angle	±15°Adjustable				
Materials	Housing:ADC12, Cover:Toughened Glass, Screws:304 stainless screws				
Spray Colors	Double Grey, Sandy Black, Matt Silver				
Led Brand	LUMILEDS, OSRAM, CREE (Optional)				
Led Specifications	3030, 5050 (Optional)				
Optical Effect	130~190 lm/w (Optional)				
Color Temperature	2700K, 3000K, 3500K, 4000K, 5000K, 5700K, 6500K (Optional) (Reference: Energy Star)				
Color Rendering Index	Ra≥70, Ra≥80, Ra≥90 (Optional)				
Optics	TYPEI, TYPEII, TYPEIII, TYPEV, TYPEIV (Optional)				
Driver Brand	PHILIPS / OSRAM / TRIDONIC / MEAN WELL / SOSEN / INVENTRONICS				
Input Voltage	AC90~305V				
Security Level	ClassI / ClassII / Class1 / Class2 (Optional)				
Frequency Range	50/60Hz				
Power Factor	PF≥0.95				
Protection	Overcurrent / Short circuit / Over temperature				
Dimming Mode	Time control / 0-10V / Opticalcontrol / Microwaves / DALI (Optional)				
Lightning Protection	10KV / 15KV / 20KV (Optional)				
Working Conditions Range	-40 to 45°C, 20% to 90% RH				
Warranty	5/8 years (Optional)				
Protection Level	IP66, GlassIK08/09/10 (Optional), Lamp shell IK08				
Certifications	CE; IEC; RoHs; Lightning protection; LM-79; LM-80; IP66				



RoHS
IP66



LED Street Light YASL-35

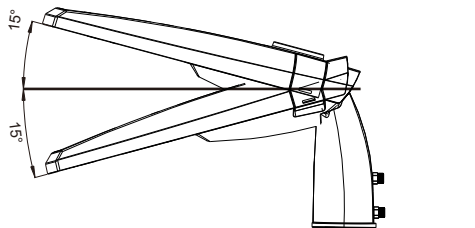
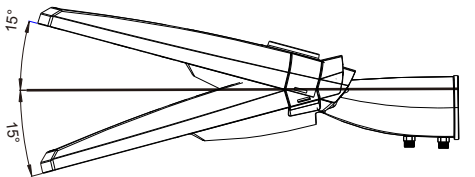
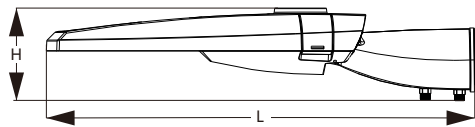
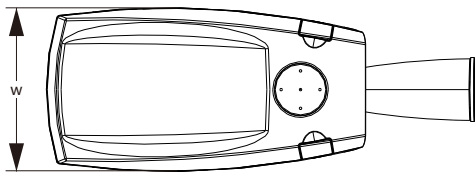
Product Description

This series is a high-performance street lighting available in five sizes. The luminaire is manufactured from high pressure die-casting aluminum. It shall have a led efficiency up to 170 lm/w and will be capable of producing up to 54000 luminaire lumens at 4000K finished in Grey or black as standard.

IP66 CE ROHS

YASL-35-60(M)

Product Size (mm)



Light Distribution (For details, please refer to the summary table of light distribution curves on page 78,79,80.)

YASL-35	IES Type Light Distribution Curve							
	DH-T1	DH-T2-L	DH-T2-M	DH-T2-MB	DH-T3-M	DH-T3-MA	DH-T3-MB	DH-T4-M
DH-T5-M	DY-T2-M	DY-T3-M	GY-T1-M	GY-T2-S	GY-T2-M	GY-T3-M	GY-T2-M01	
GY-T3-M01	GX-T2-S	GX-T2-M	GX-T3-M	GX-T4-M	GX-T4-L	GX-T5	GJ-T2-M	
GJ-T3-M	GJ-T4-M	HY-T2-S	HY-T3-M	HX-T2-S	HX-T2-M	HX-T3-M	HX-T4-M	



LED Street Light YASL-33

Installing Ways:

Both Horizontal and Vertical available and adjustable angle -15° to $+15^{\circ}$

YASL-35-240

Material:

Die casting Aluminum body and polycarbonate lens cover



RoHS

IP66



Product Specification

Product Code	YASL-33-50	YASL-33-100	YASL-33-150	YASL-33-200	YASL-33-240
Input Wattage (W)	30 ~ 50	60 ~ 100	120 ~ 180	180 ~ 240	240 ~ 320
Product Size (mm)	400×150×101	493×175×91	575×221×91	670×241×91	772×278×91
Packing Size (mm)	460×180×160	515×195×150	595×240×150	690×260×150	790×290×150
Installation Height (m)	3 ~ 8	6 ~ 10	8 ~ 12	8 ~ 12	10 ~ 14
Installation Pipe Diameter	Φ48/60mm	Φ48/60mm	Φ60mm	Φ60mm	Φ60/76mm
Input Voltage	90~305Vac				
Frequency Range	50/60Hz				
Power Factor	PF≥0.90				
Light source	LED				
Driver Brand	INVENTRONICS / MEAN WELL(Optional) / other brand of driver(upon request)				
Luminaire Efficacy	130~150 lm/w				
Color Temperature	4000K (3000K / 5000K、 5700K upon request)				
Color Rendering Index	Ra≥70				
Diming	Dali (optional), 1-10V (optional), PWM (optional), Smart control management system (upon request)				
The environment temperature	-40 to 45°C				
Humidity of Working Condition	20% to 90% RH				
Protectin Grade	IP66				
Protection leve	IK08				
Standards & Certifications	ENEC; CE; CB; RoHs				
Options	Photocell Surge protection External cable (length upon request) Smart control device				
Adjustable Angle	±15°Adjustable				
Color	Grey, Black(Other upon request)				
Materials	Housing: ADC12 die-cast aluminum, Cover: Polycarbonate lens cover, External Screws: 304 stainless screws				

Note: Product net weight and gross weight are different due to different product configuration. The data provided in the table are for reference only, subject to the actual situation.

LED Street Light YASL-33

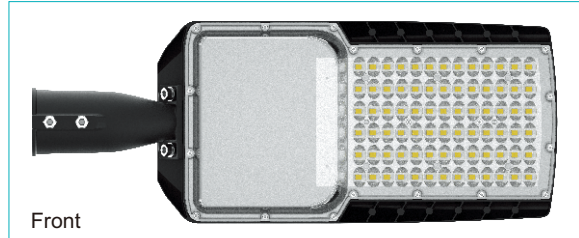
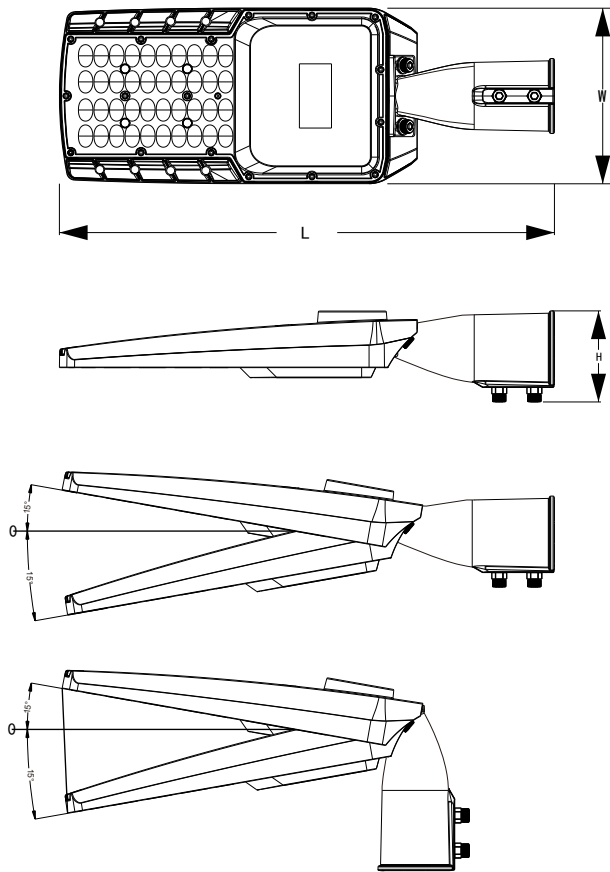
Product Description

This series is a high-performance street lighting available in five sizes. The luminaire is manufactured from high pressure die-casting aluminum. Full wattage from 30 to 320W, with ultra-high luminous efficiency and various lighting distribution. Intelligent control system: timing dimming, 0-10v dimming, Dali, Zigbee, NB-Lot, etc.

IP66 CE ROHS ENEC CB EMC LM79



Product Size (mm)



Photometric Data

